


MMU-AP*2WH**

2-way Air Discharge Cassette Type

Slim and compact unit

Unified the width of ceiling panels, 680mm.

Condensate drain pump included.

Available for ceilings up to 3.8m in height. (in case of 0.8HP to 3.2HP)

Easy installation and fine adjustment using the "Adjust-Cover" function.

Technical specifications

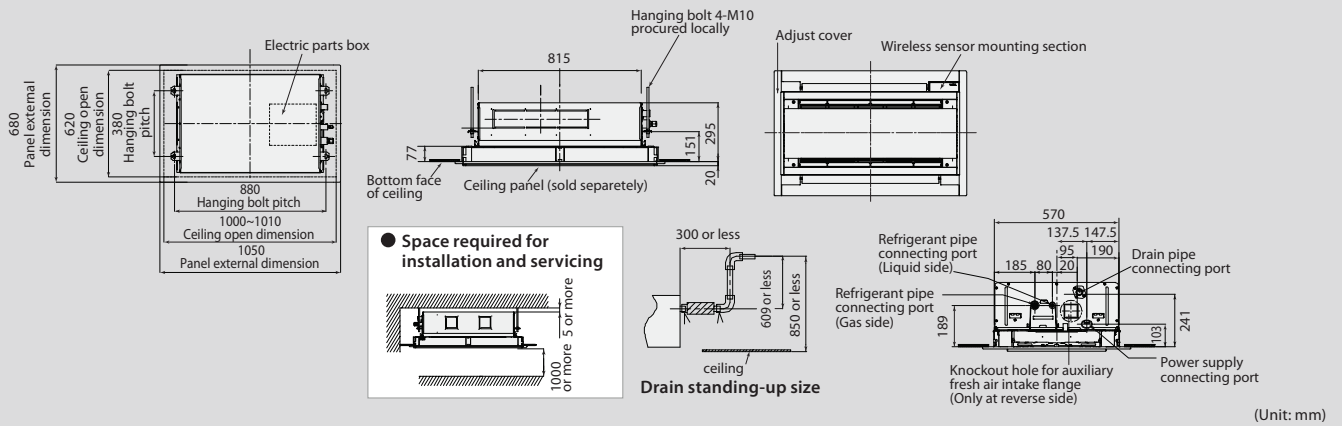
Model name	MMU-	AP0072WH	AP0092WH	AP0122WH	AP0152WH	AP0182WH	AP0242WH	AP0272WH	AP0302WH	AP0362WH	AP0482WH	AP0562WH		
Cooling/Heating capacity*1	(kW)	2.2/2.5	2.8/3.2	3.6/4.0	4.5/5.0	5.6/6.3	7.1/8.0	8.0/9.0	9.0/10.0	11.2/12.5	14.0/16.0	16.0/18.0		
Electrical characteristics	Power requirements	1-phase 50Hz 230V (220-240V)/1-phase 60Hz 220V (Separate power supply for indoor units required)												
	Power consumption 50 Hz/60 Hz	(kW)	0.029/0.029		0.030/0.030	0.044/0.044	0.054/0.054	0.064/0.064	0.076/0.076	0.088/0.088	0.117/0.117			
Appearance (Ceiling panel)	Model	RBC-UW283PG(W)-E				RBC-UW803PG(W)-E				RBC-UW1403(W)PG-E				
External dimensions: Main unit (Ceiling panel)*	Height	(mm)	295 (20)				345 (20)							
	Width	(mm)	815 (1050)				1180 (1415)				1600 (1835)			
	Depth	(mm)	570 (680)											
Total weight: Main unit (Ceiling panel)*	(kg)	19 (10)				26 (14)				36 (14)				
Fan unit	Standard air flow (High/Mid/Low)	(m ³ /h)	558/498/450		600/534/450	900/750/618	1050/840/738	1260/900/780	1740/1434/1182	1800/1482/1230	2040/1578/1320			
	Motor output	(W)	20		30	40	50	70						
Connecting pipe	Gas side	(mm)	ø9.5		ø12.7		ø15.9							
	Liquid side	(mm)	ø6.4				ø9.5							
	Drain port (nominal dia.)		25 (Polyvinyl chloride tube)											
Sound pressure level*2 (High/Mid/Low)	(dB(A))	34/32/30		35/33/30		38/35/33		40/37/34	42/39/36	43/40/37	46/42/39			

* Figures in parentheses are for ceiling panels.

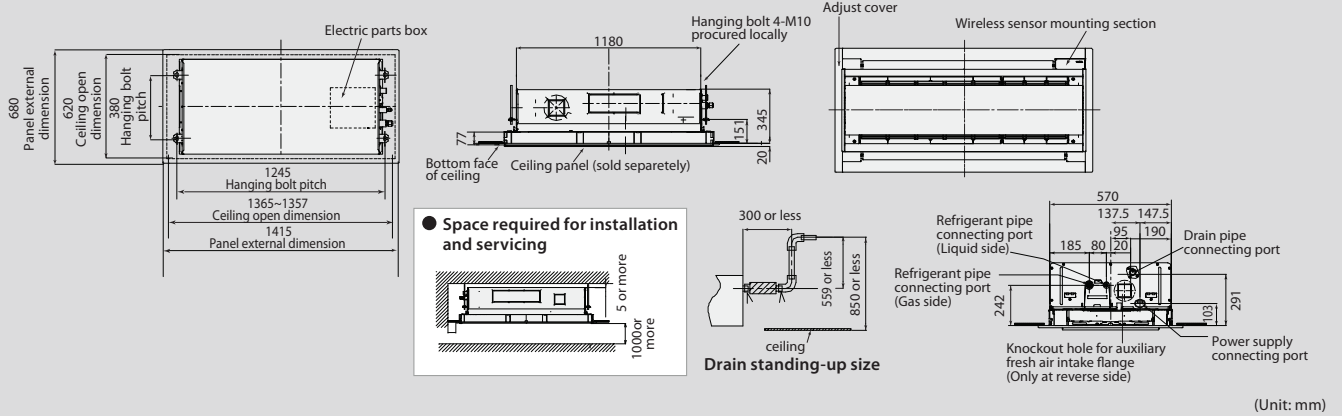
*1 This reference piping consists of 5 m of main piping and 2.5 m of branch piping connected at the same height level.

*2 The actual values in an external operating environment are generally higher than the indicated values due to the contribution from ambient noise.

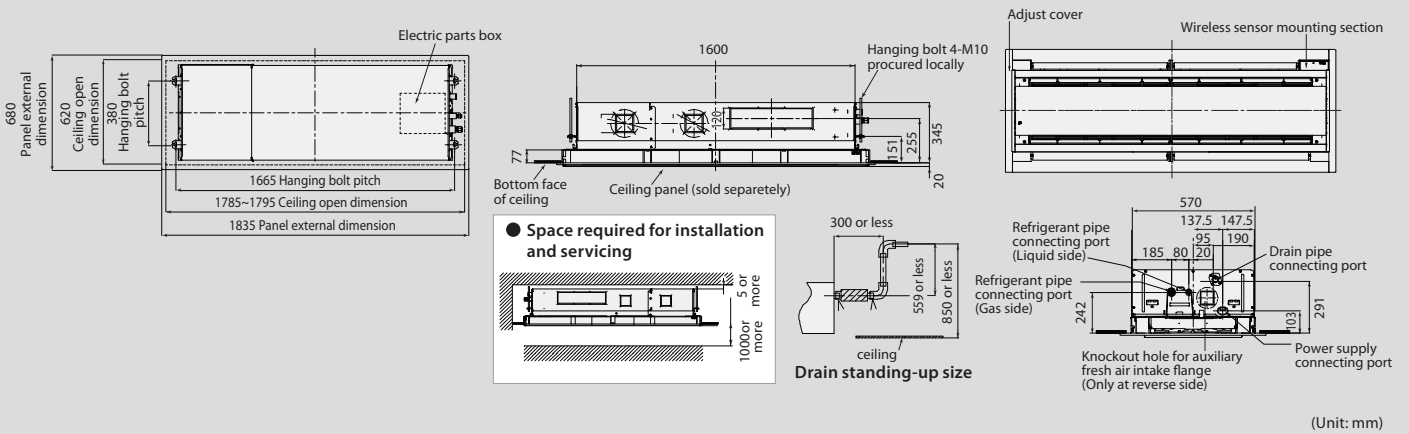
MMU-AP0072WH to AP0152WH



MMU-AP0182WH to AP0302WH



MMU-AP0362WH to AP0562WH



Options

